

Performance C Series

Intel CPU Cooler I402

With the I402 Intel cooler which is part of the Performance C Series, XILENCE presents a compact but very high-capacity cooler for powerful multi-core processors. The small cooler appears in classic tower design and convince with its extremely efficient heat pipes and the fin design arrangement. This design ensures that the air circulates more easily through the innumerable fins. Thus the fan speed of the 92mm PWM fan can be kept very low. Additionally, the heat transmission between CPU and cooler is very evenly and efficient due to the direct contact of heat pipes and CPU.



Product Features

- Silent hydro bearing 92mm fan
- Two 6mm copper heat pipes for better air flow
- Fin Design for high airflow and efficient cooling of the CPU and surrounding components
- Slight overhang of the fan avoids hotspots
- Possible mounting of the fan on both sides of the heat sink
- Suitable for all current LGA 115x & 1700 INTEL sockets

Technical Data

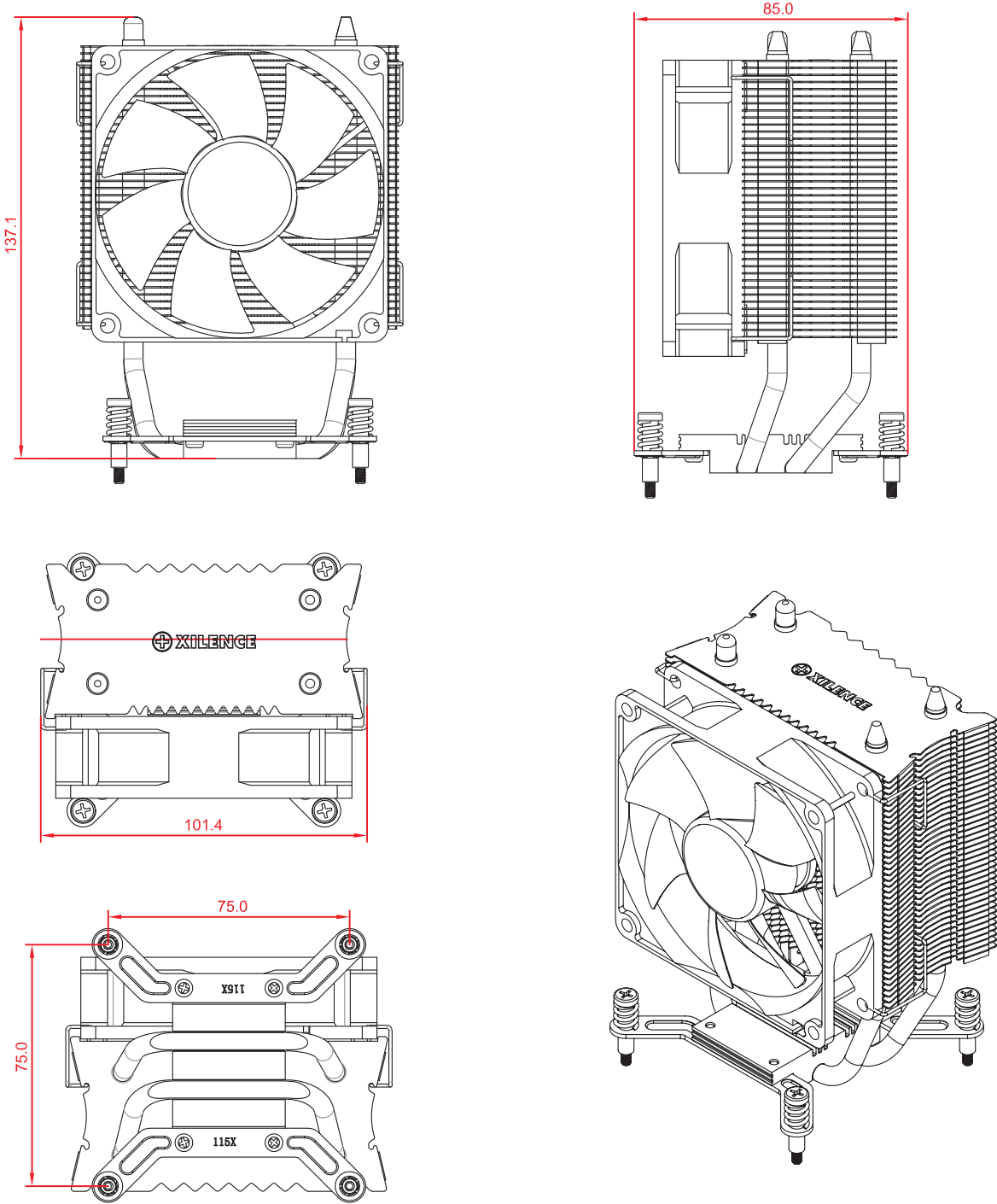
Sockets	LGA 1150/1151/1155/1156/1700
CPU max. Watt	130W
Fan Size	92 x 92 x 25mm
Fan Speed	600 - 2200 ± 10% RPM 65.4 CFM
Air Flow	PWM
Fan Control	14.0 - 23.8 dB (A)
Noise Level	included
Thermal Paste	137 x 101.4 x 72.7mm
Dimensions (H/W/D)	408g
Weight	

Logistical Data

Manufacturer Number	I402
Item Number	XC026
EAN Barcode	4044953500282

Performance C Series

Technical Drawing



Logistical Data

Manufacturer number 1402
 Item number XC026
 EAN Barcode 4044953500282